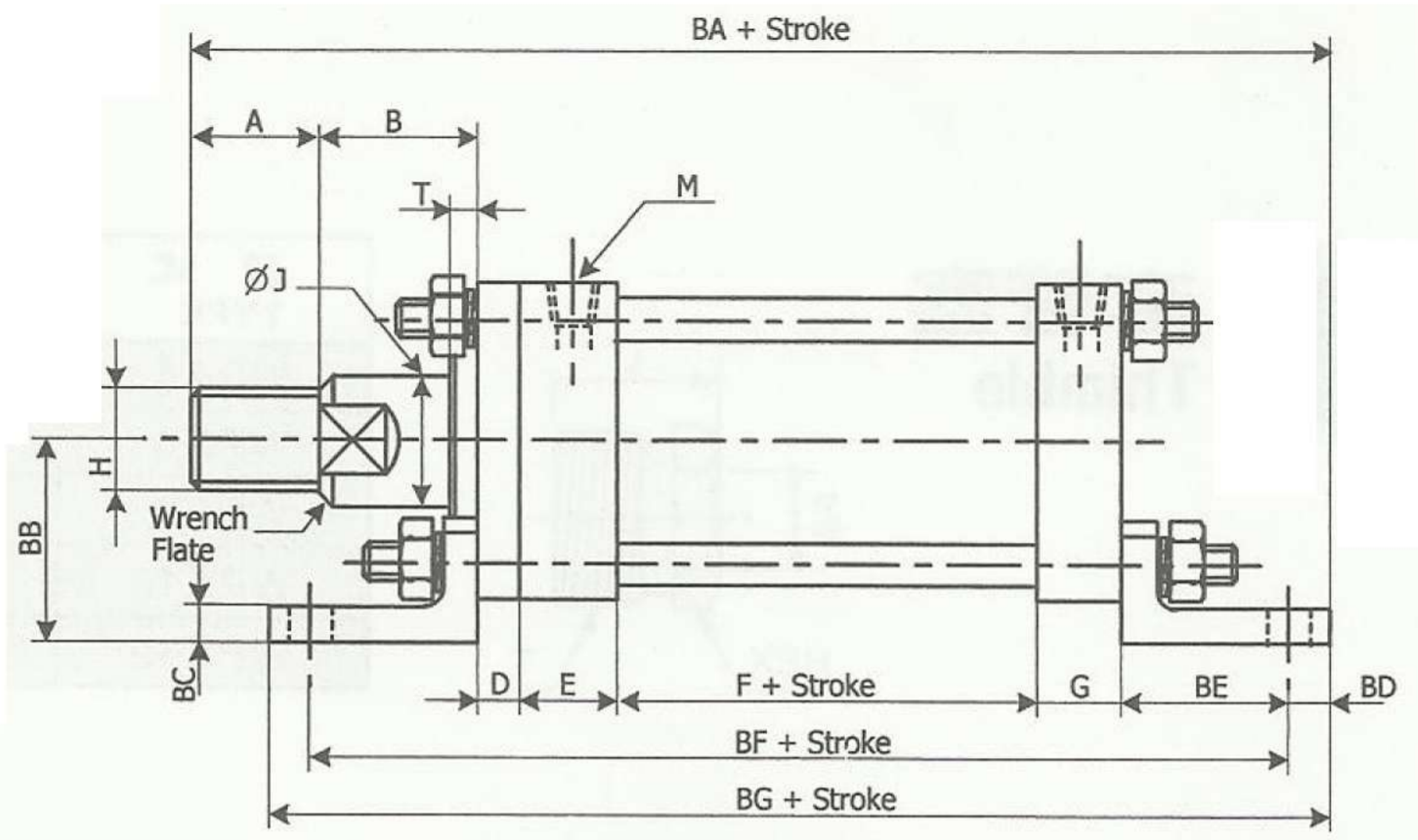
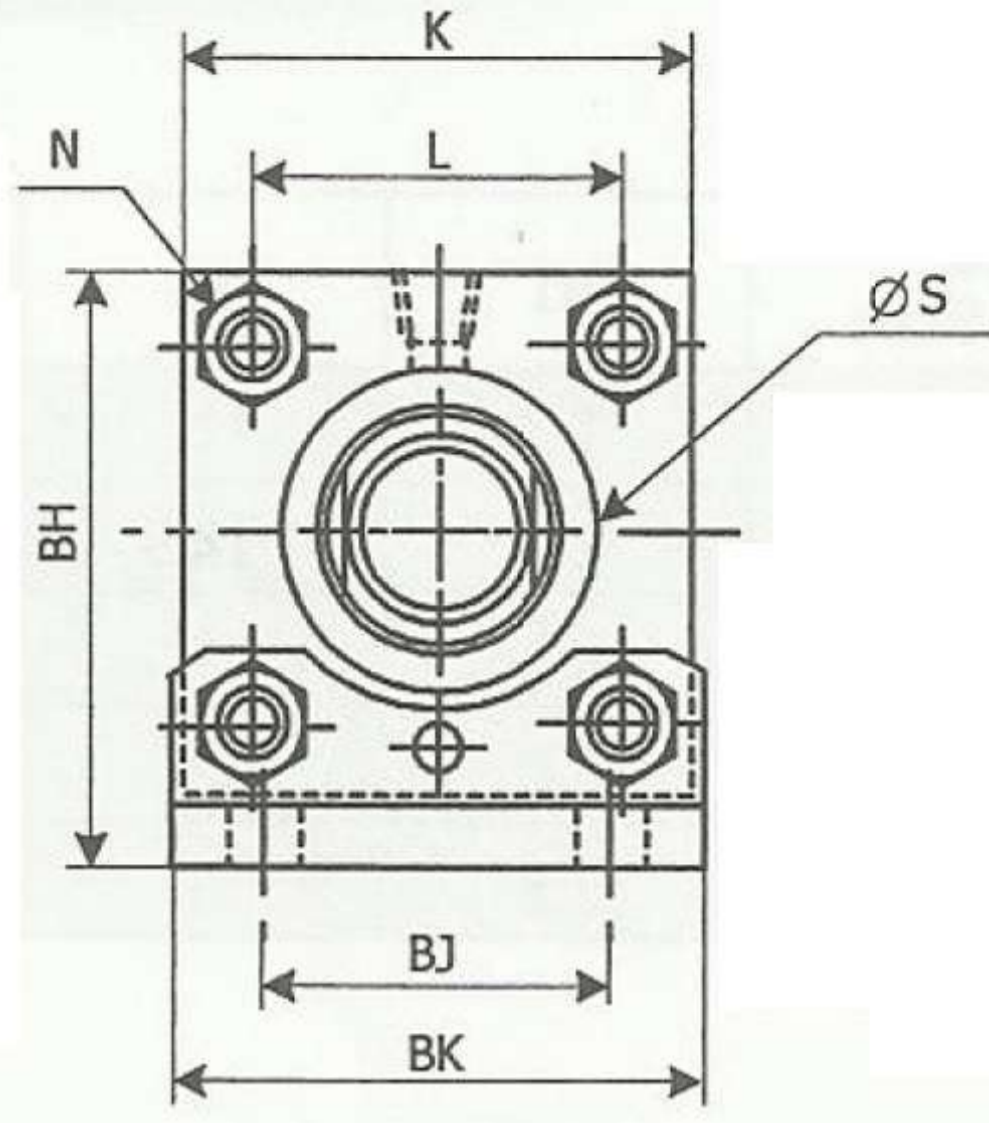
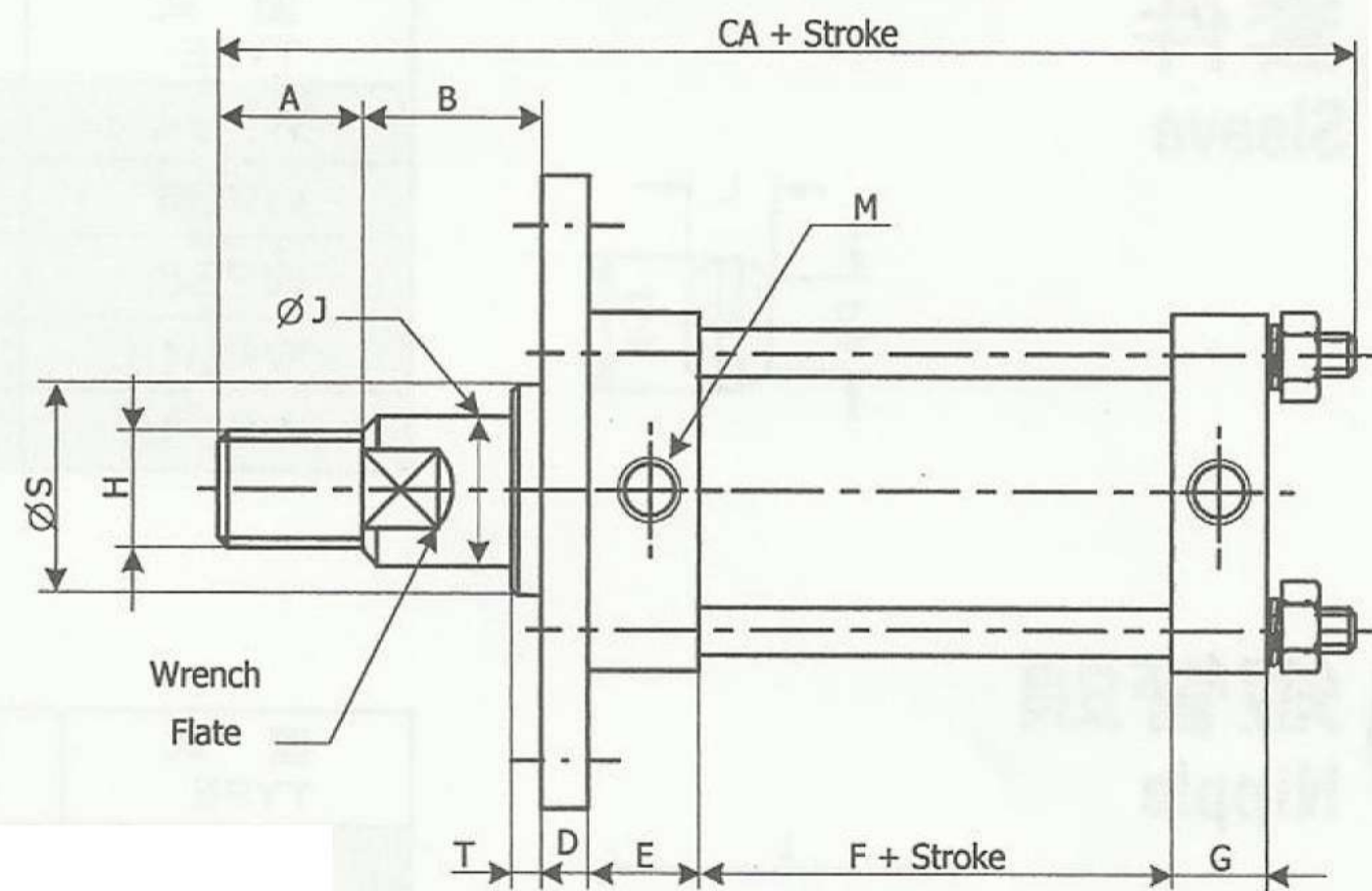
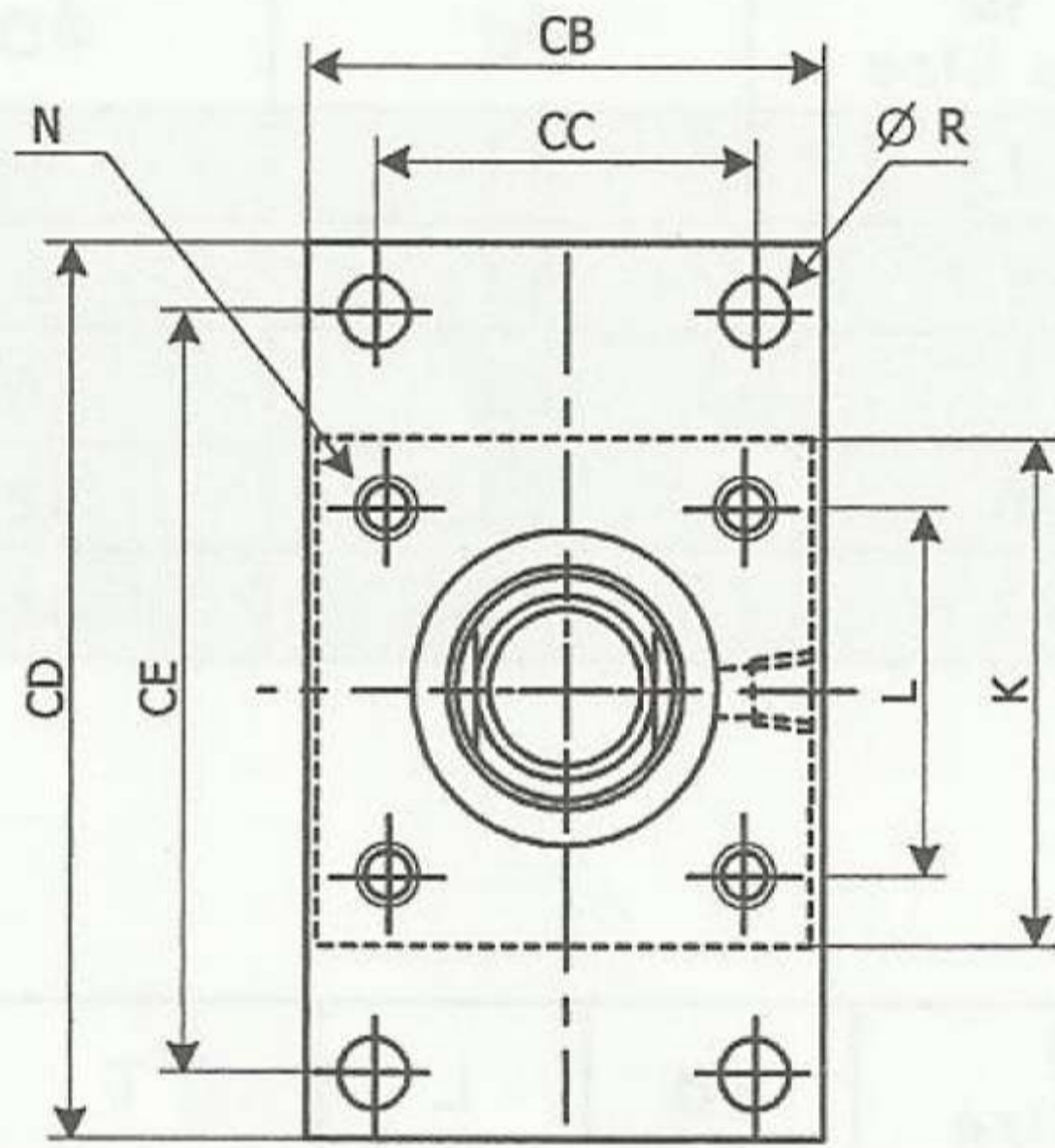


INSTALLATION DIMENSIONS

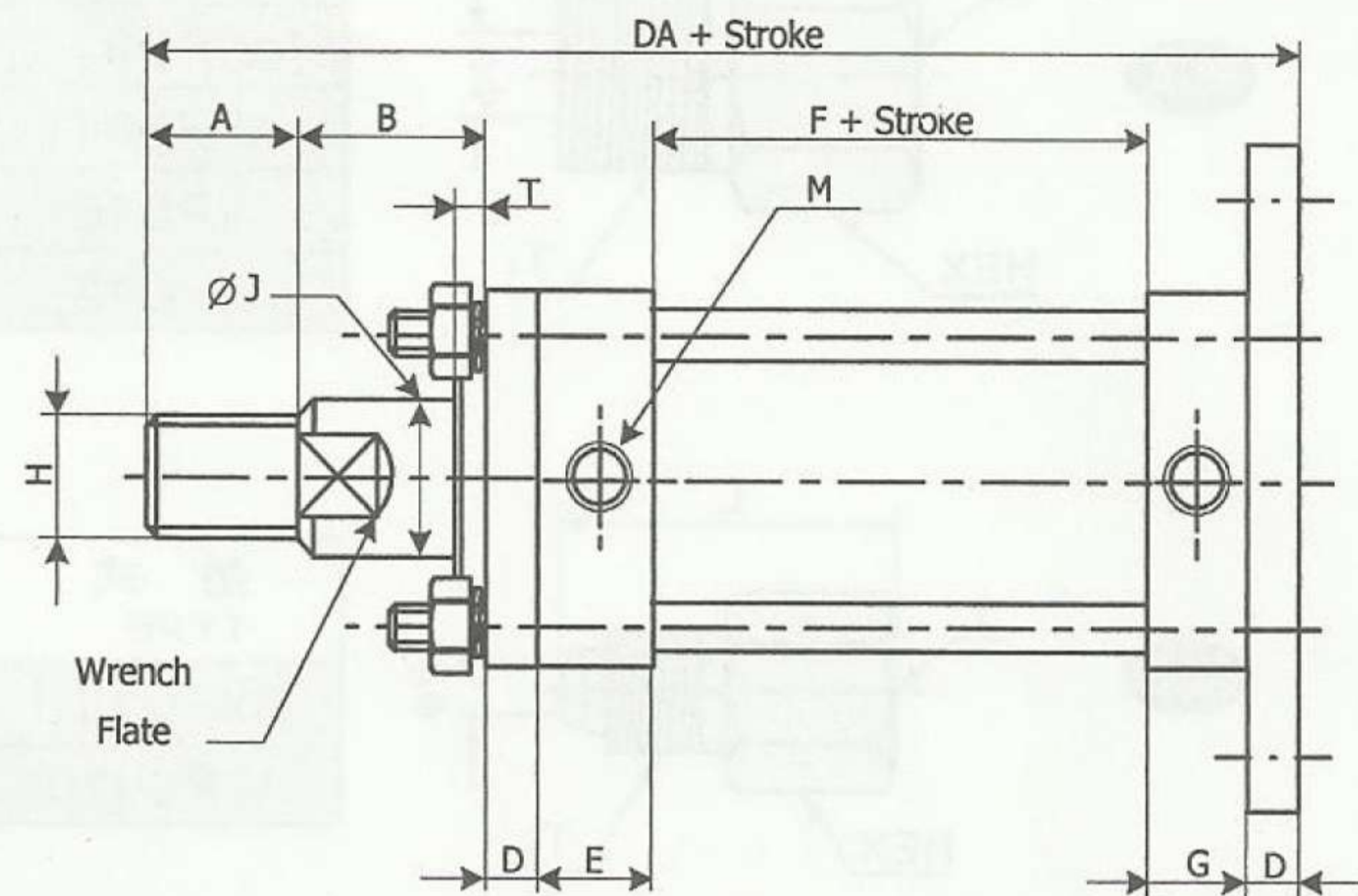
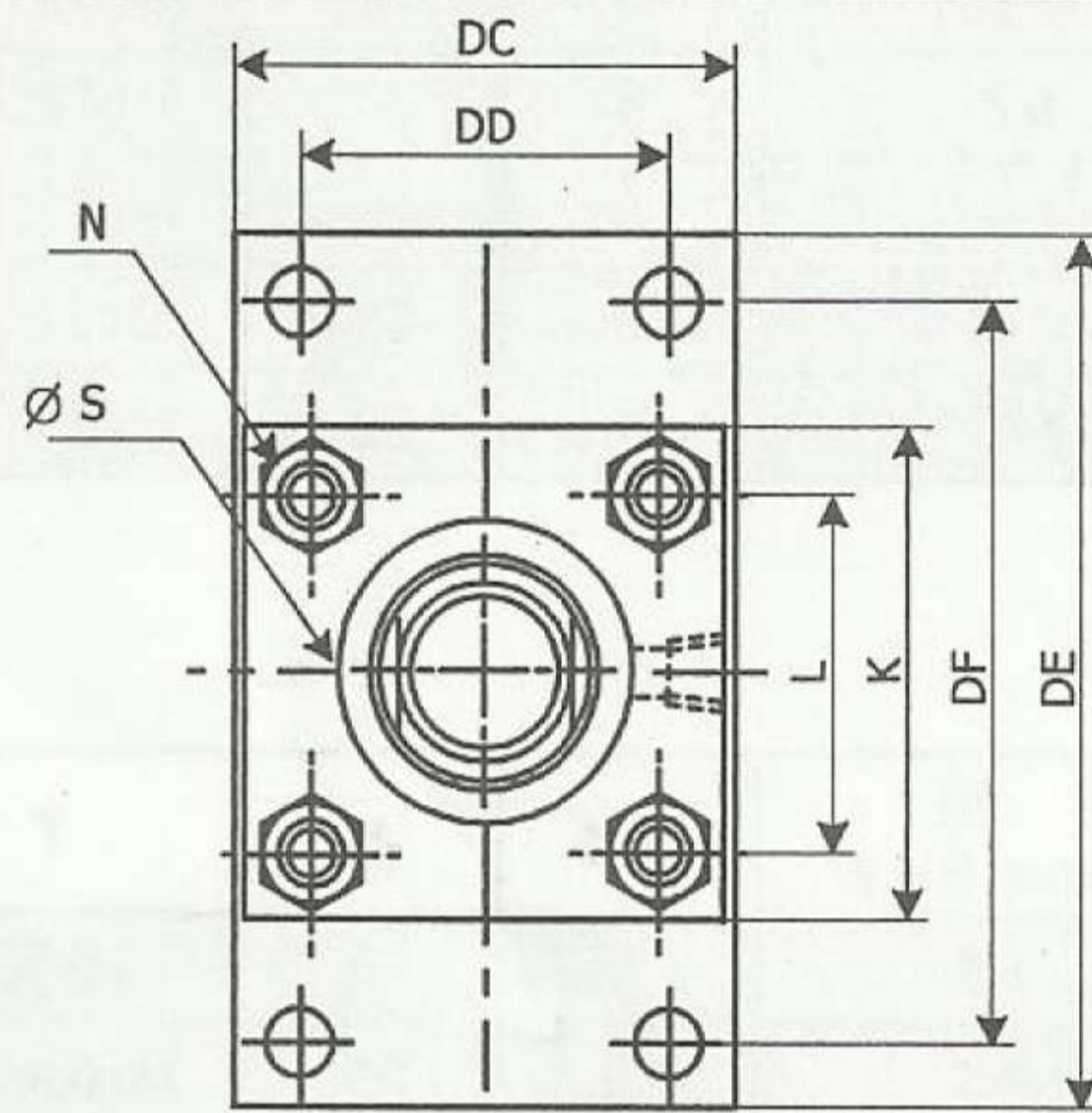
LB TYPE



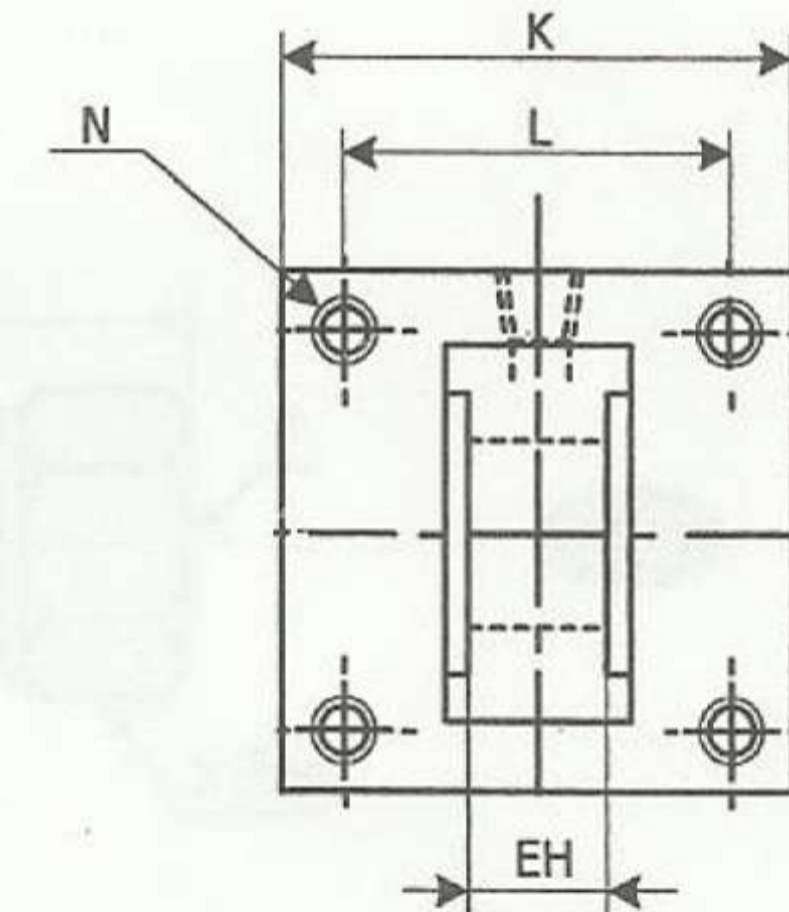
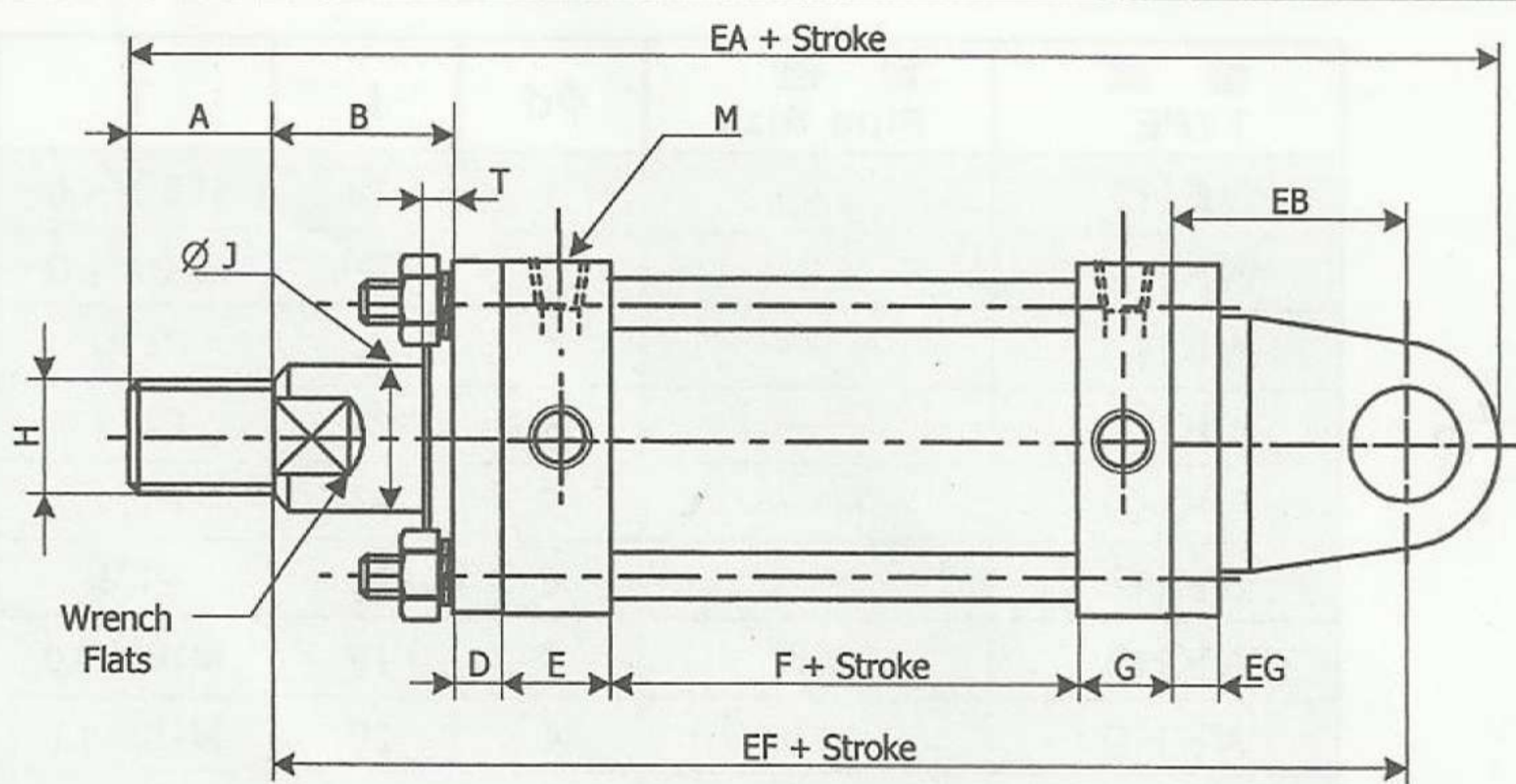
FA TYPE



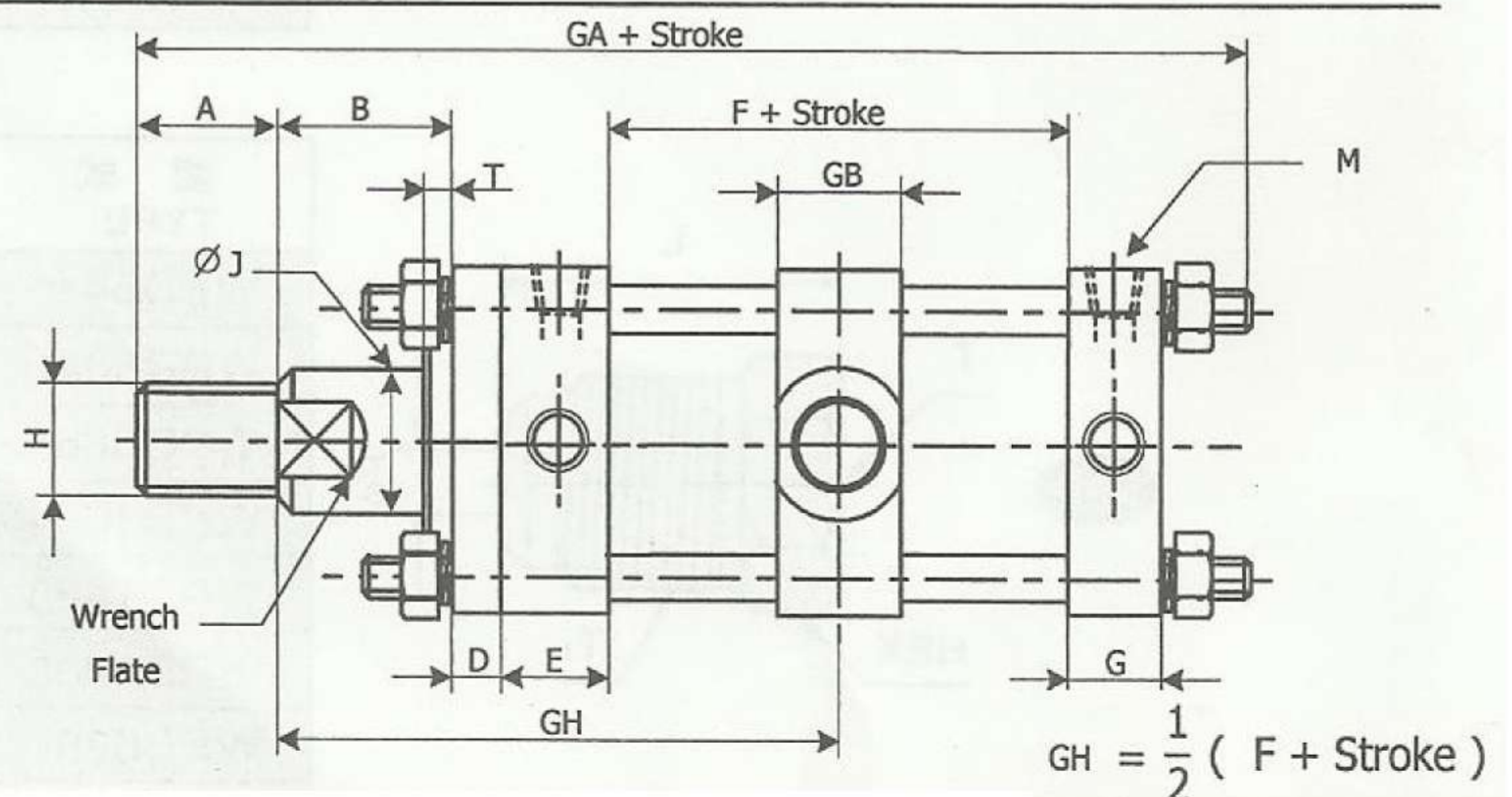
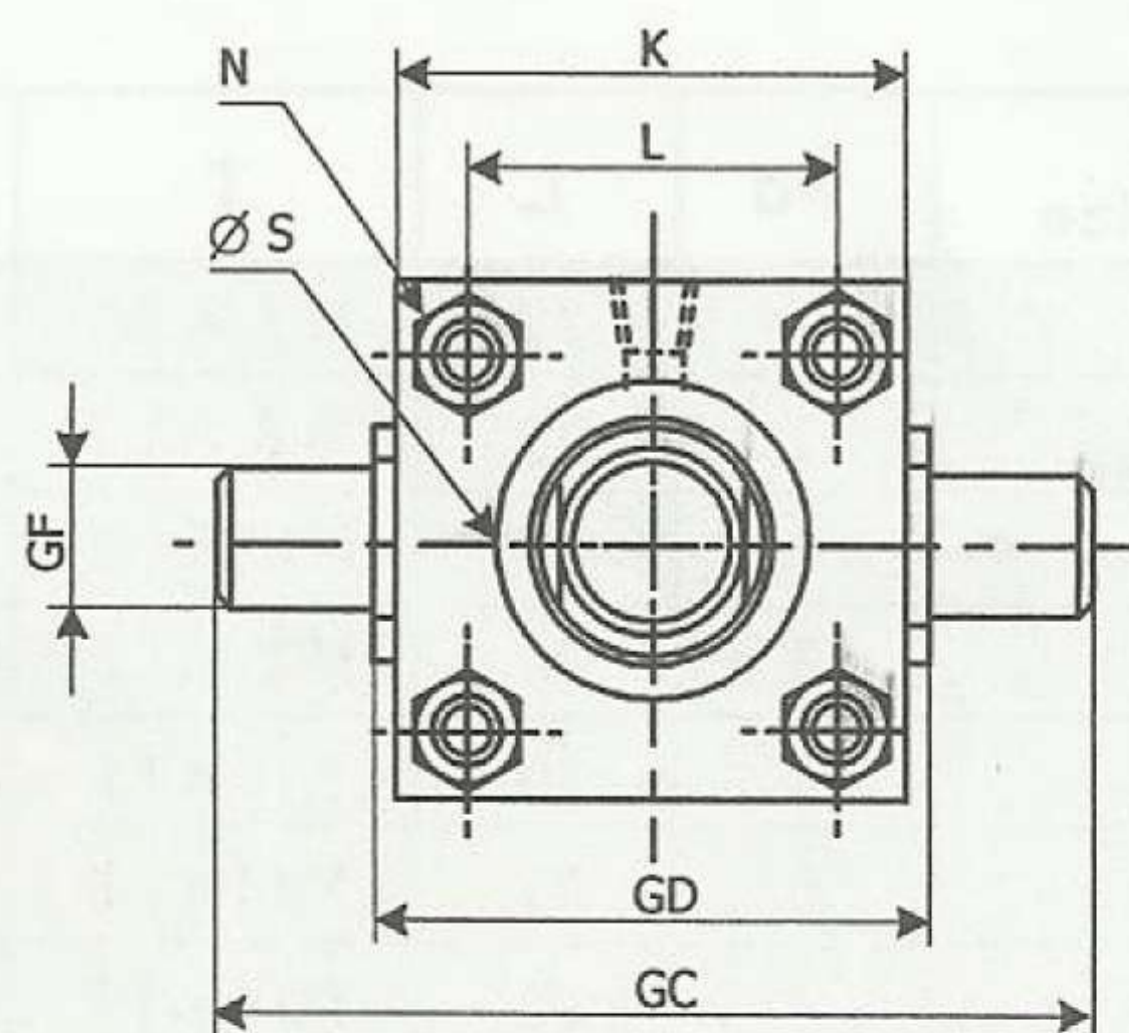
FB TYPE



CA TYPE



TC TYPE



TYPE	SYMBOL	BORE SIZE OF CYLINDER				
		Ø 40 mm	Ø 50 mm	Ø 63 mm	Ø 80 mm	Ø 100 mm
COMMON	A	30	35	45	60	75
	B	30	30	35	35	40
	D	11	13	15	18	20
	E	42	46	48	58	58
	F	60	64	70	70	95
	G	28	32	32	38	38
	H	5/8" G18	7/8" G14	1" G12	1 1/4" G12	1 3/4" G10
	J	20	25	32	40	50
	K	65	75	90	110	135
	L	46	54	66	82	104
	M	3/8"	1/2"	1/2"	3/4"	3/4"
	N	3/8" G16	1/2" G12	1/2" G12	5/8" G11	3/4" G10
	Ø R	11	14	14	18	20
	WRENCH FLATS	17	23	26	33	46
	T	9	10	10	7	10
S	40	46	55	65	80	
LB TYPE	BA	246	270	303	349	385
	BB	43	50	60	72	85
	BC	6	8	10	12	12
	BD	13	15	17	18	20
	BE	35	35	45	50	58
	BF	205	225	247	284	302
	BG	231	255	283	324	348
	BH	75.5	87.5	105	127	152.5
	BJ	45	55	65	82	104
	BK	77	85	95	118	145
	BL	32	35	42	50	
FA TYPE	CA	214	233	259	299	331
	CB	69	85	98	118	150
	CC	46	58	65	87	109
	CD	118	145	165	190	230
	CE	95	115	132	155	190
FB TYPE	DA	212	233	258	297	327
	DC	69	85	98	118	150
	DD	46	58	65	87	109
	DE	118	145	165	190	230
	DF	95	115	132	155	190
CA TYPE	EA	255	285	337.5	382.5	431
	EB	38	45	63	72	84
	ED	16	20	31.5	40	50
	EF	209	230	261	291	316
	EG	12	14	17	20	23
	EH	25	31.5	40	50	50
TC TYPE	GA	214	233	259	299	331
	GB	28	33	43	43	53
	GC	109	135	161	181	225
	GE	20	25	31.5	31.5	40
	GF	20	25	31.5	31.5	40
	GH	112+ (st / 2)	121+ (st / 2)	132+ (st / 2)	146+ (st / 2)	156 + (st / 2)